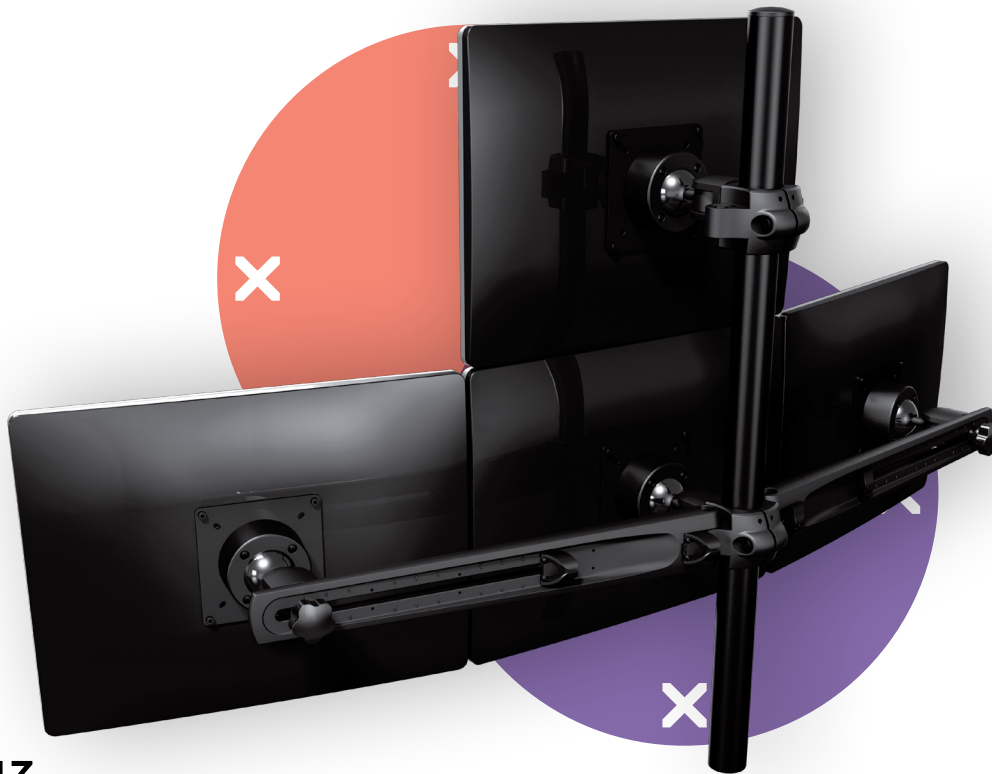


viewmaster^x

Warranty



53.343

Viewmaster multi-monitor system - desk 343

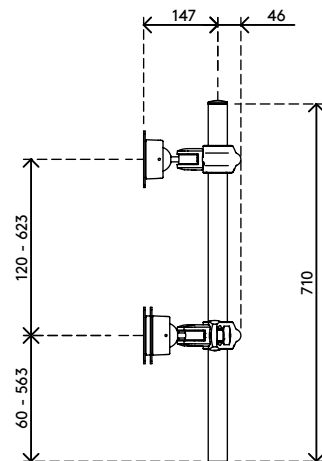
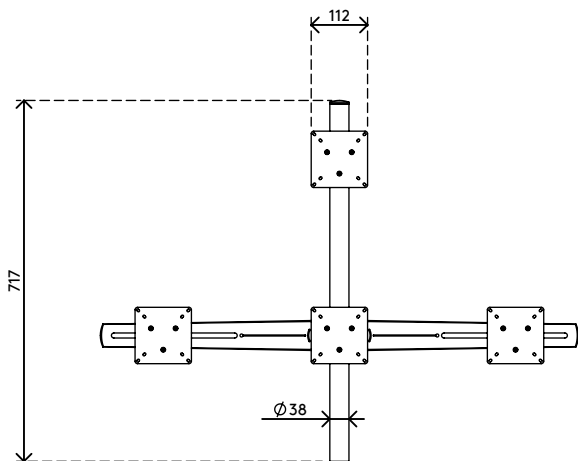
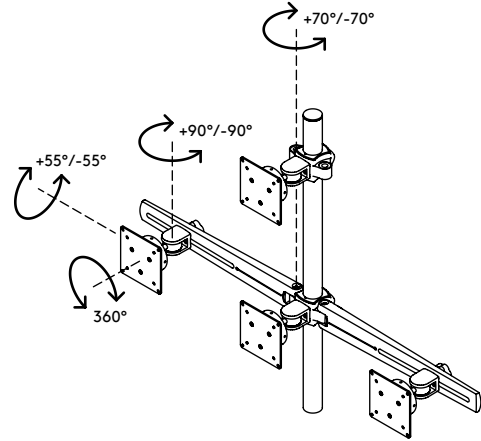
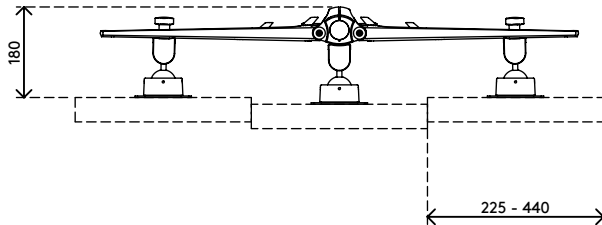
This model mounts a total of 4 monitors. Like on all other winged multi-monitor systems, each monitor can be adjusted individually. Cable management in the wings tidies up all cables, resulting in an impressive, curved monitoring workstation.

- Stepless height adjustment
- For 4 monitors
- Cable clips and loop ties included
- Die-cast aluminium parts
- VESA MIS-D 75 x 75/100 x 100 mm compatible
- Monitor: tilt +55°/-55°, swivel +90°/-90°, rotate 360°
- Weight capacity max. 12 kg (26,5 lb) per monitor
- Desk mount not included
- Monitor size limit: width 440 mm (17,3") - height 428 mm (16,8")
- Due to excellent stability also suitable for touchscreens

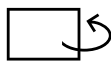
dataflex^x

feeling at work

viewmaster



+55°/-55°



+90°/-90°



360°



440 mm (17,3")



428 mm (16,9")



75 x 75/100 x 100



(4x) 12 kg (26,5 lb)

Viewmaster multi-monitor system - desk 343

2020/10/06


53.343

 740 x 410 x 140 mm

 1 pcs

 black

 8,18 kg

 805410533434